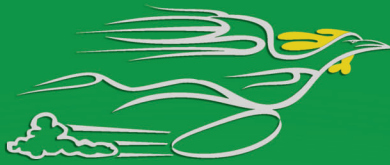


GALLUS



LIVE HAUL POULTRY FORKLIFT

Before this machine ever went to design, a field representative went to the maintenance departments of Poultry Growers and asked, "If you could change anything about your current forklift, what would it be?" **We listened!!!**

Gallus CT 6000 Specifications

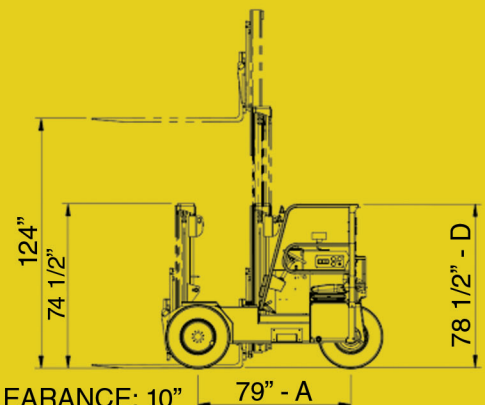
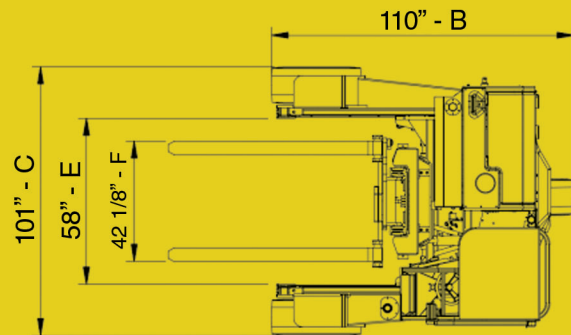
- Lift Capacity6,000 lb @ 24" L.C.
3,600 lb @ 48" L.C.

Dimensions See Drawing

- Lift Height124"
- Tires (3)31 X 15.5 X 15
- Optional Tires (3)
- Wheel Base79"A
- Overall Length110"B
- Overall Width101"C
- Overall Height78 1/2"D
- Frame Opening58"E
- Carriage Width42 1/8"F
- Forks84" Shaft Mount
- Mast Tilt10 Degrees Forward
10 Degrees back
- Ground Clearance .10" Btm of mast
- EngineKubota D2403 Super 3"
IDI Tier 4"
- Fuel Capacity18 Gal.
- Hydraulic Capacity ...18 Gal.
- Speed12 mph
- Total Weight6970 lbs.

Standard Features

- Largest Operator Compartment In The Industry
- Tilt Steering
- Individual Hydraulic Control Handles
- Rotator w/ 17 Degree CW & 37 Degrees CCW
- Side Shifting Mast
- Full Engine Instrumentation
- Kubota D2403 Super 3" IDI Tier 4" Diesel Engine
- Air Filtration Pre-cleaner
- Integral Hydraulic Oil Cooler
- DOT LED Light Package with Harness
- Poultry Light Package
- Standard Work Light Package
- Differential TRAC-LOK
- Heavy Duty Suspension Seat
- Back Up Alarm
- Quick Clean Radiator Screen
- Heavy Duty Radiator Guard
- Strobe Light



Distributed By:

Covenant Lift Inc.

Phone: (770) 855-7019

Fax: (770) 464-3417

2910 Clegg Farm Road

Social Circle, GA 30025

www.covenantlift.com
jeffreeder@covenantlift.com

INFORMATION SUBJECT TO
CHANGE WITHOUT PRIOR NOTICE